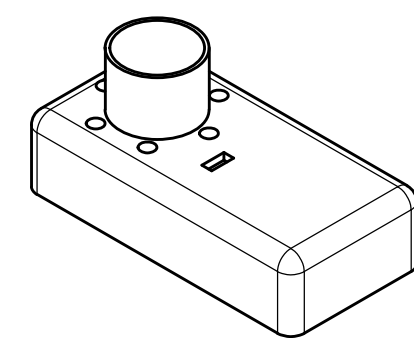
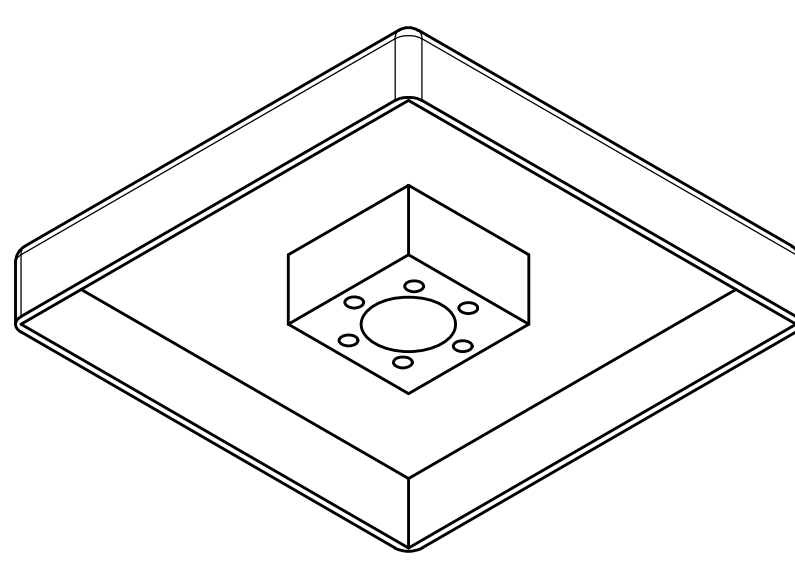


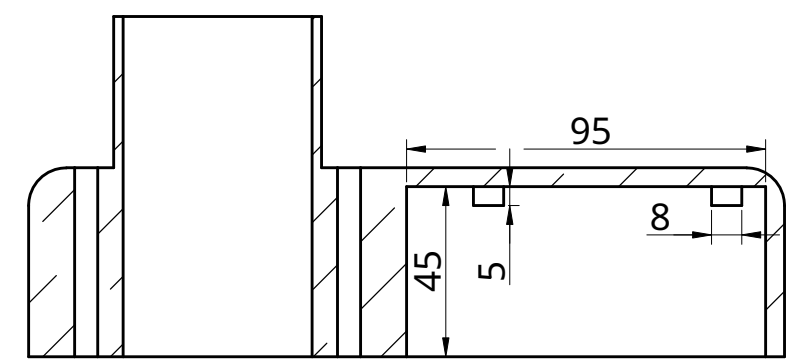
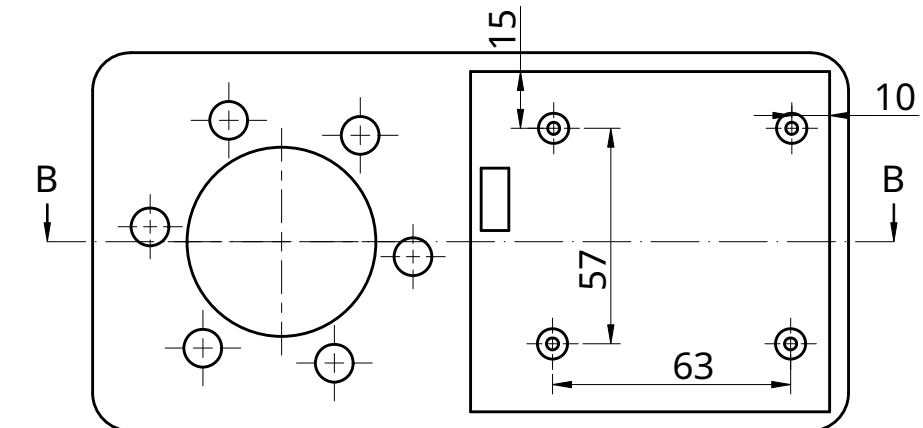
A - A
1:4



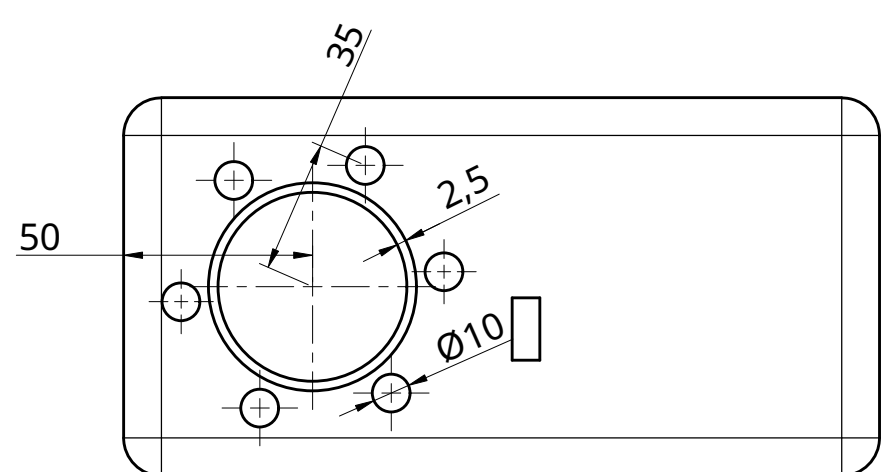
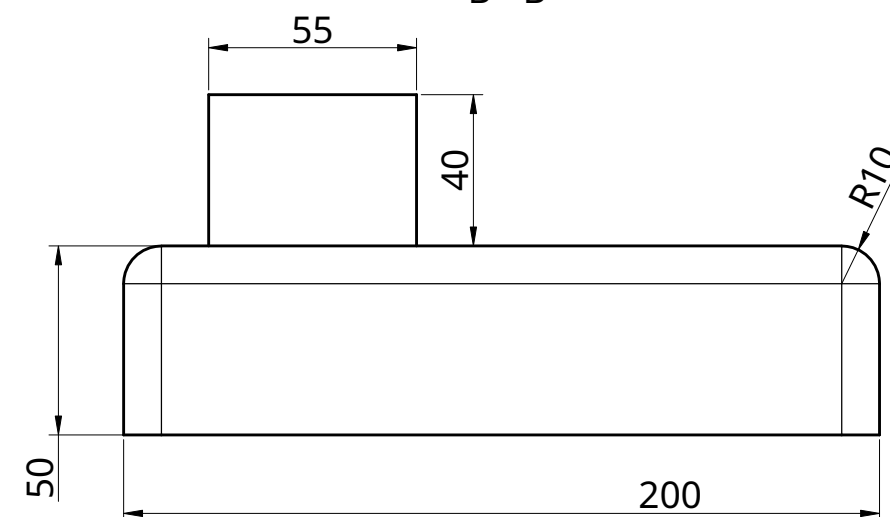
1:4



1:4



B - B



UNLESS OTHERWISE SPECIFIED, DIMENSIONS ARE IN MILLIMETERS			
ANGULAR = ± °			
SURFACE FINISH			
DO NOT SCALE DRAWING			
BREAK ALL SHARP EDGES AND REMOVE BURRS			
FIRST ANGLE PROJECTION		MATERIAL	FINISH
NAME	SIGNATURE	DATE	
RUI MENDES		2026-04-09	
DRAWN	CHECKED	APPROVED	TITLE
			Structural Drawings V3 Group 5
SIZE	DWG NO.	REV.	
A3			
SCALE	WEIGHT	SHEET	1 of 1
1:2			

NAME	SIGNATURE	DATE	
RUI MENDES		2026-04-09	
DRAWN	CHECKED	APPROVED	TITLE
			Structural Drawings V3 Group 5
SIZE	DWG NO.	REV.	
A3			
SCALE	WEIGHT	SHEET	1 of 1
1:2			