

Sheet: /
 File: EPS-LEDs-schematic.kicad_sch

Title:

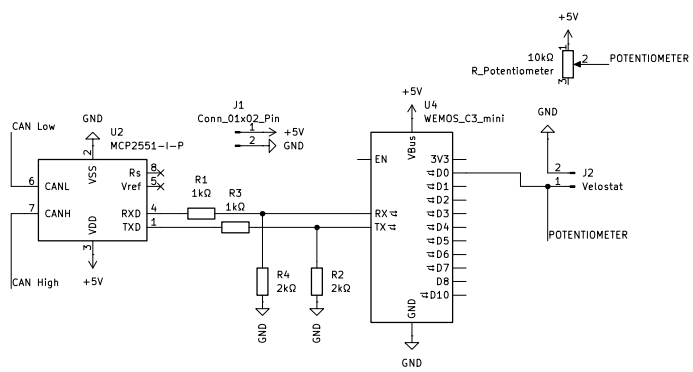
Size: A4

Date:

Rev:

KiCad E.D.A. 10.0.0

Id: 1/1



Sheet: /		
File: EPS-velostat-schematic.kicad_sch		
Title:		
Size: A4	Date:	Rev:
KiCad E.D.A. 10.0.0		Id: 1/1